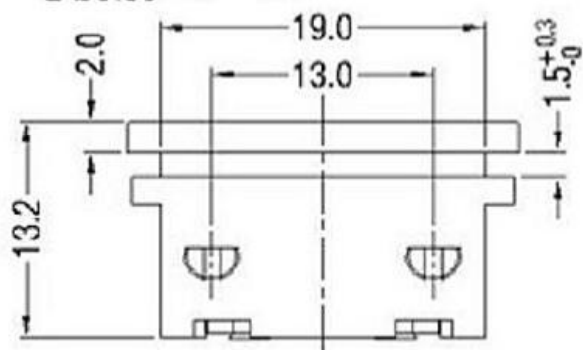
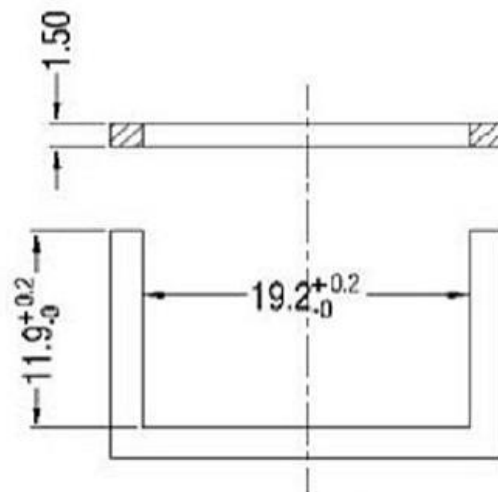


SECTION: A-A



MARK

**SPEC:**  
 A. Material:  
 1. Housing: PC  
 2. Terminal: COPPER ALLOY, TIN PLATED  
 B. Electrical Characteristics:  
 1. Rating: 2.5A 250V~  
 (UL, CUL, CCC, VDE, SEMKO, NEMKO, FIMKO, DEMKO)  
 2. Electric Strength: AC 2,000 V FOR ONE MINUTE  
 3. Insulation Resistance: 100MΩ MIN, AT 500V DC  
 C. Approvals:  
 UL, CUL, CCC, VDE, SEMKO, NEMKO, FIMKO, DEMKO



PANLE CUT-OUT

普通公差  
COMMON TOLERANCE:

UP TO 5	±0.20
ABOVE 5 TO 30	±0.30
ABOVE 30	±0.50
ANGULAR	±5°



东莞市高迪电子有限公司

REV.	DATE	REVISION DESCRIPTION	ISSUE	单位 UNIT	mm	投影 PROJECTED		品名 PRODUCT NAME	AC POWER JACK
				绘图 DRAWN BY	林晓良	核 CHECKED BY		型号 MODEL NO.	
				日期 DATE	19.08.12	核 APPROVAL BY		料号 PART NO.	KD-AC电源插座